

Features

- All purpose fixed displacement external gear pump.
- Aluminum Front Flange, Rear Cover Plate and Aluminum Body
- Rotation speed up to 2000 rpm continuous
- Pressure to 200 Bar (2900 psi) continuous, Peak = 250 Bar (3625psi)
- Floating bearing plates to reduce clearance on gears and leakage at varying pressures.

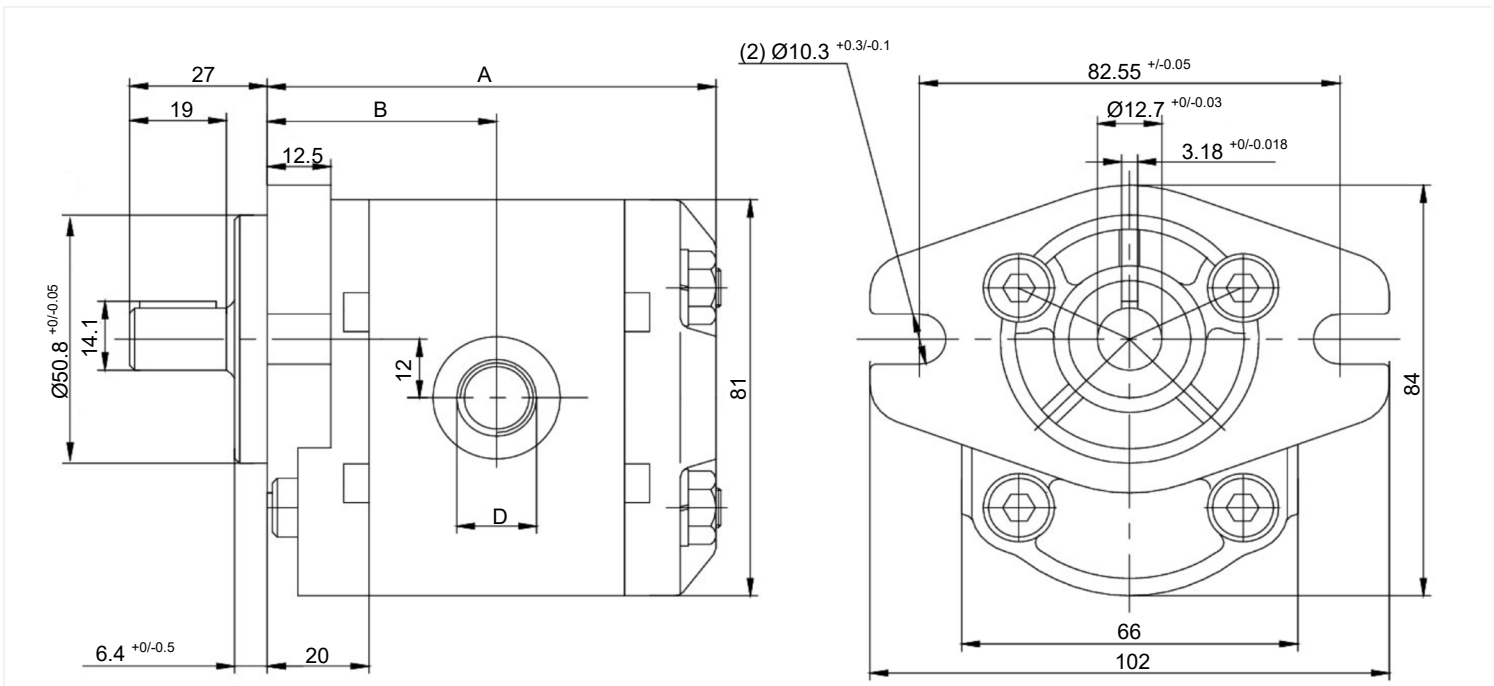


Ordering Details

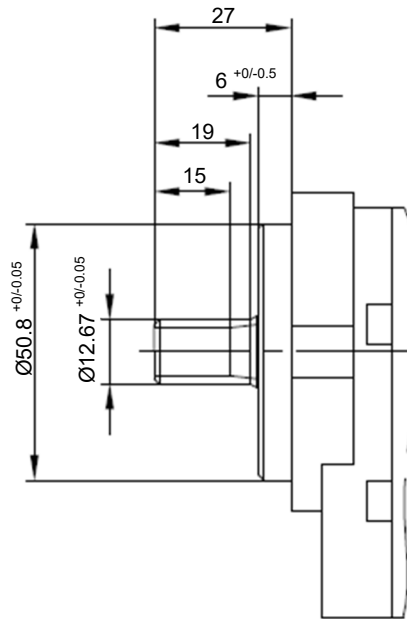
P	Pump					
F	Fixed					
EG	External Gear					
3.4-	CC, Centimeters ³ /rev.: 1.3, 2, 2.7, 3.4					
9T.6-	Shaft Style	Keyed				
		Code	Shaft Dia., in.	Key Width, in.	CC/rev	
		K0.5	0.500	0.125	1.3, 2, 2.7, 3.4	
9T.6-	Shaft Style	Spline				
		Code	Shaft Dia., in.	Details	CC/Rev	
		9T.5	0.500	9T 20/40	1.3, 2, 2.7, 3.4	
2AA-	Mounting Flange: 2AA=SAE AA - 2 Bolt					
O6	Pressure Port	Threaded, SAE O-ring boss				
O8	Suction Port	Code	Dash Size	Thread	CC/Rev.	
					Pressure	Suction
		O6	-6	9/16-18	1.3, 2, 2.7, 3.4	
		O8	-8	3/4-16		1.3, 2, 2.7, 3.4
S-	Ports: S=Side Threaded					
R-	Rotation when looking at the shaft: L=Left Hand (CCW), R= Right Hand (CW)					
8	Series					

Example Part Number: PFEG3.4-9T.6-2AA-O6O8S-R-8

K0.5 – Keyed Shaft: Dimensions in mm



9T.5—Spline



Displacement cc	Pressure PSI (bar)		Speed r/min			A mm	B mm	Pressure Port	Suction Port	Weight, Kg
	Continuous	Peak	Continuous	Peak	Min					
1.3	2900 (200)	3625 (250)	2000	4500	500	82	42	-6, 9/16-18	-8, 3/4-16	1.2
2	2900 (200)	3625 (250)	2000	4500	500	84	43	-6, 9/16-18	-10, 7/8-14	
2.7	2900 (200)	3625 (250)	2000	4500	500	86	44	-10, 7/8-14	-12, 1 1/16-12	
3.4	2900 (200)	3625 (250)	2000	4500	500	88	45	-10, 7/8-14	-12, 1 1/16-12	